

Model DWS

Wet / Wet Differential Pressure Transducer

Description

DWS model, it is suitable measuring for high precise measurement and differential pressure. DWS can be against corrosive material owing to Media-Wetted materials are composed stainless steel 316L. DWS strength point is in-amplification circuit, It can be helpful communication of variety controllers.

Features

- ▶ CE Certified
- ▶ VDC, mA output
- ▶ Measuring range 0~3.5MPa diff.
- ▶ 0.25%FS or 0.35%FS accuracy
- ▶ IP65 protection(DIN Connector type)
- ▶ Differential Pressure measurement
- ▶ Piezoresistive silicon cell
- ▶ Stainless steel media-wetted materials

Applications

- ▶ Corrosive Fluid and Gas Measurement Systems
- ▶ Liquid Level Controls
- ▶ Tank Level Measurement
- ▶ Leak Tester System

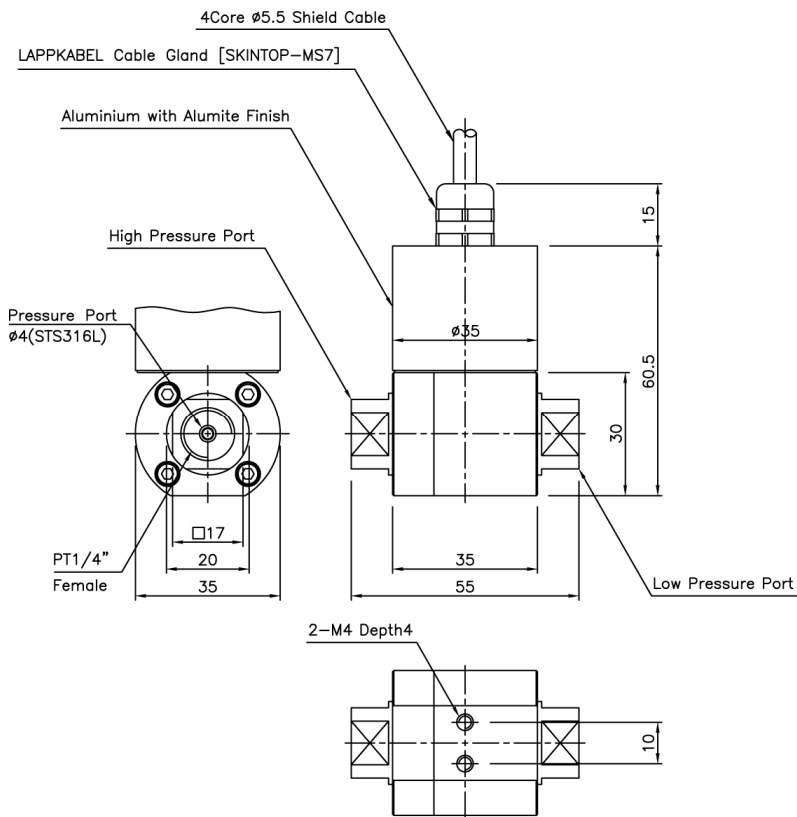
Specifications



	Accuracy 0.25%FS	Accuracy 0.35%FS
Range	0~5kPa ... 3.5 MPa	0~5kPa ... 2.5 MPa
Performance		
Accuracy	±0.25%FS(RSS)	±0.35%FS(RSS)
Thermal Effect on Zero	±0.05%FS/°C (< 35kPa : ±0.1%FS/°C)	±0.05%FS/°C (< 35kPa : ±0.1%FS/°C)
Thermal Effect on Span	±0.05%FS/°C	±0.05%FS/°C
Compensated Temperature Range	-10 ~ 70°C	-10 ~ 70°C
Operating Temperature Range	-20 ~ 80°C	-20 ~ 80°C
Electrical		
Excitation	11 ~ 28VDC	
Output	0~5VDC, 1~5VDC, 0~10VDC, 4~20mA(2Wire)	
Electrical Connection	Cable Gland, Connector, Head, Din Connector	
Physical		
Proof Pressure	300%FS Max.	200%FS Max. (≤ 3.5kPa : 300%FS Max.) (> 2MPa : 150%FS Max.)
	(For high-end port, rated or 7MPa whichever is less; for low-end port, rated or 1MPa whichever is less.)	(High-end port side must have a higher pressure than low-end port side.)
Line(Common Mode) Pressure	7MPa	4MPa
Vibration	49.1m/s ² {5G}, 10~500Hz	
Shock	490m/s ² {50G}	
Pressure port	R(PT)1/4"(F), UNF 7/16(Flare Fitting)	
Media-Wetted Materials	Stainless Steel 316L, VITON	
Weight	Approx. 315g (Connector Type)	Approx. 410g (Connector Type)

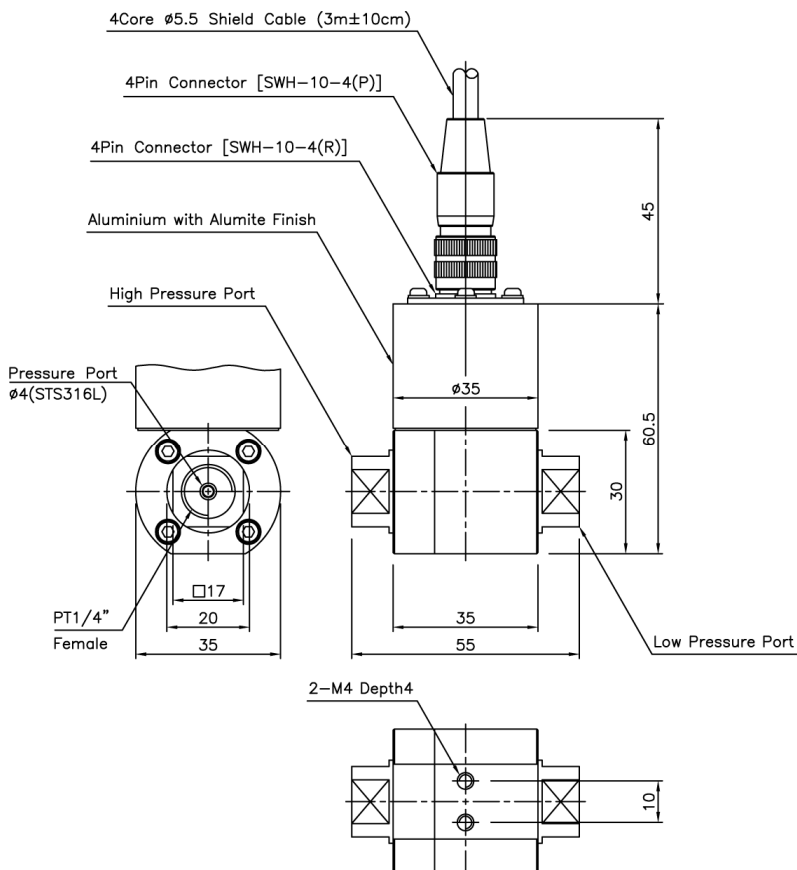
Dimension

► Cable Gland Type (Accuracy 0.25%FS Type)



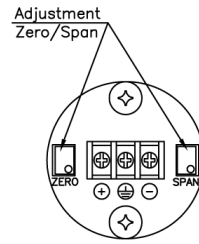
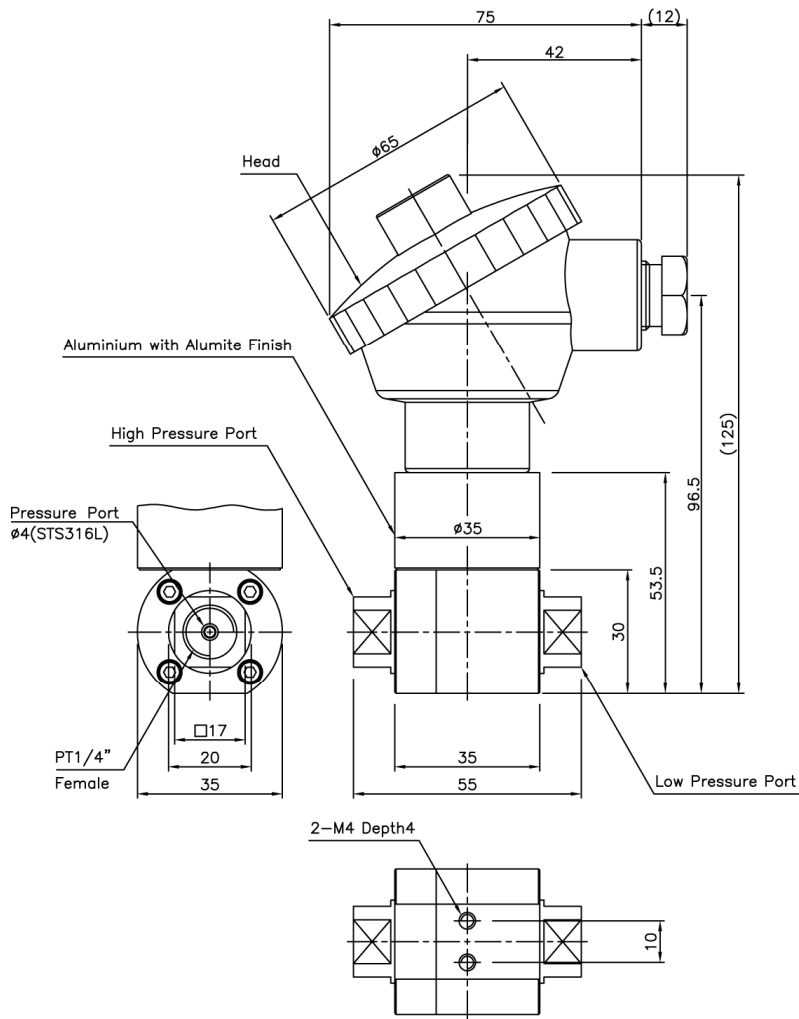
Wire Color	Connections		
	4Wire	3Wire	2Wire
Red	Input ⊕	Input ⊕	Input ⊕
White	Output ⊖	Common ⊖	x
Black	Input ⊖	x	Output ⊕
Green	Output ⊕	Output ⊕	x
Shield	Earth	Earth	Earth

► Connector Type (Accuracy 0.25%FS Type)



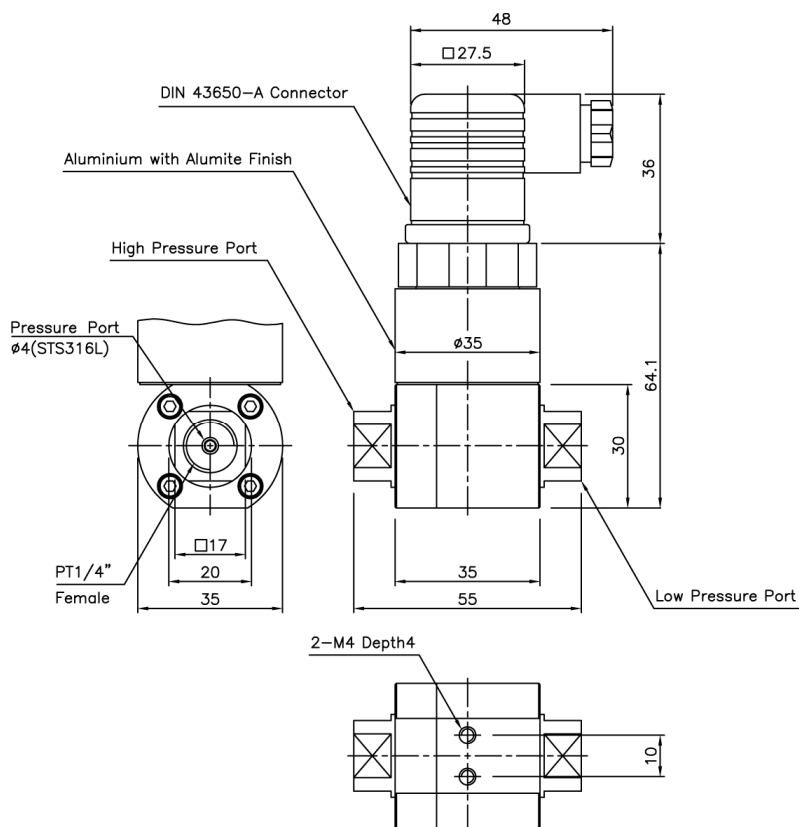
Pin No.	Wire Color	Connections		
		4Wire	3Wire	2Wire
1	Red	Input ⊕	Input ⊕	Input ⊕
2	White	Output ⊖	Common ⊖	x
3	Black	Input ⊖	x	Output ⊕
4	Green	Output ⊕	Output ⊕	x
5	Shield	Earth	Earth	Earth

► Head Type (Accuracy 0.25%FS Type)



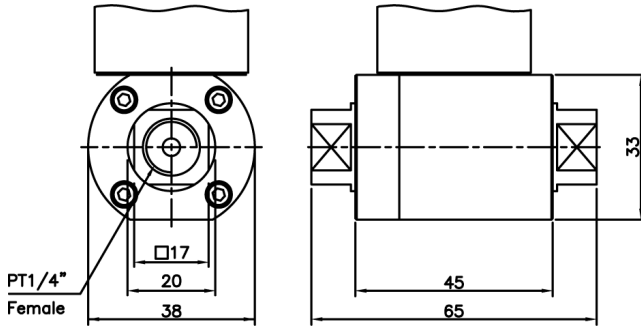
No.	Connections	
	2Wire	
+	Input	⊕
⊖	Earth	
-	Output	⊕

► Din connector Type (Accuracy 0.25%FS Type)

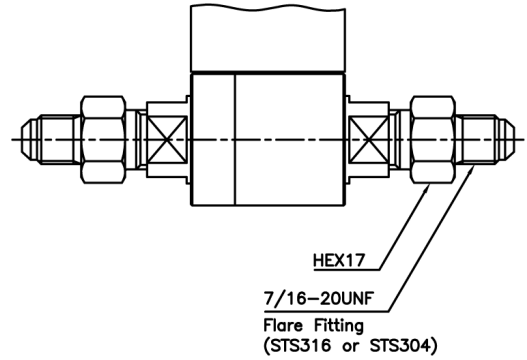


Pin No.	Connections	
	3Wire	2Wire
1	Input ⊕	Input ⊕
2	Common ⊖	Output ⊕
3	Output ⊕	x
⊕	Earth	Earth

▶ Accuracy 0.35%FS Type

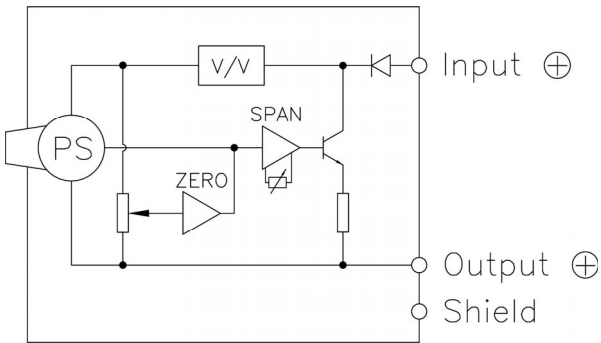


▶ Flare Fitting(Optional)

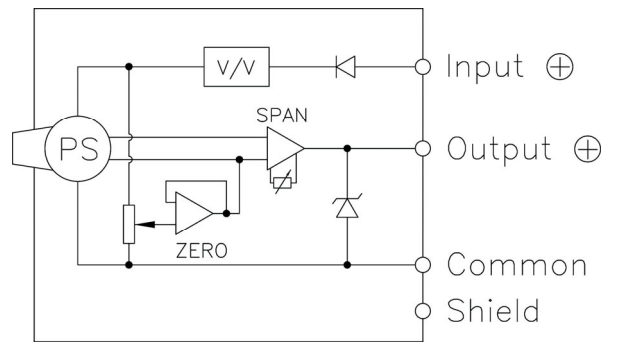


Internal Circuit Diagram

▶ 2Wire mA Output Type



▶ 3, 4Wire VDC Output Type



Ordering Information

Model Name		DWS	H	0020	R	1	P	H	-	□	Option
Output		B : 4Wire 0~5V		H : 2Wire 4~20mA		C : 3Wire 0~5V		J : 3Wire 0~10V		Accuracy	
		D : 4Wire 1~5V		K : 4Wire 0~10V						H : 0.25%FS	
		E : 3Wire 1~5V								L : 0.35%FS	
Pressure Range		XXXX : Pressure		CXXX : Compound Pressure						Connecting Methods	
Pressure Unit		K : kgf/cm ²		B : bar		P : psi		M : MPa		P : Connector	
		R : kPa		C : cmH ₂ O		H : mmHg				H : Head	
										I : Din 43650-A connector	
										S : Cable Gland	
										Pressure port	
										1 : R(PT)1/4"(Female)	
										2 : UNF 7/16(Flare Fitting)	

Sensys SENSOR SYSTEM TECHNOLOGY CO., LTD.

ADD : Rm.5010, Ansan Digital Park, 81, Neungan-ro, Danwon-gu, Ansan-si, Gyeonggi-do, Korea.

TEL : 82-31-310-8910~9

FAX : 82-31-310-8920

http://www.sensys.co.kr

e-mail : master@sensys.co.kr

· Specifications are subject to change without notice.

Copyright © 2021 SENSOR SYSTEM TECHNOLOGY CO., LTD.(20211109)