

DS FOX®
DAE SUNG E.N.G

Digital Temperature Controller
www.foxeng.co.kr



FOX-1004

FOX-E1004

FOX-S1004

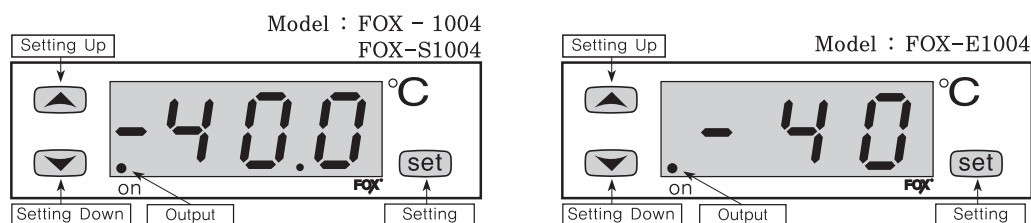
DAE SUNG E.N.G

TEMP. CONTROLLER PANEL PANEL METER

MODEL	TEMP. RANGE	SENSOR TYPE
FOX-1004	-40.0°C ~ +90.0°C	Diode
FOX-E1004	-40°C ~ +90°C	Diode
FOX-S1004	-40.0°C ~ +90.0°C	Diode

* Thank you for selecting our products.
Please read carefully this instruction to reduce any damages or operation mistakes.

1. Part name



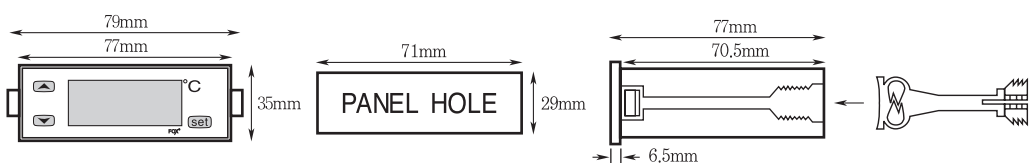
FOX1004, FOX-E1004 : use both Cool & Heat
FOX-S1004 : only Cool

2. Changing of User Mode & Setting for Installer Mode Function

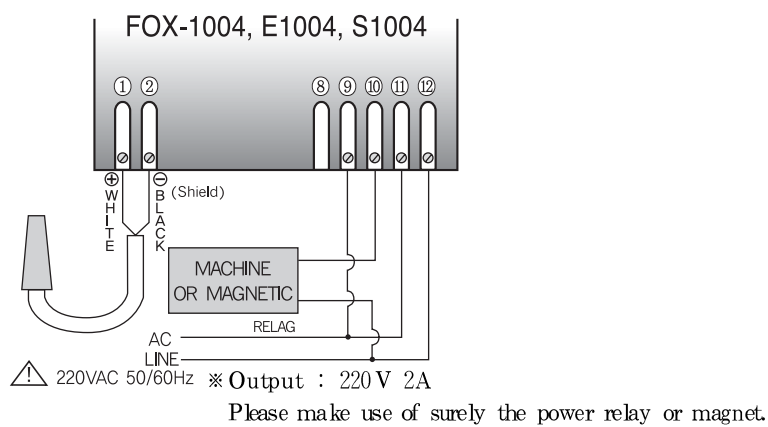
- Changing of User Mode
If (set) key is pushed, setting temperature is flicked.
Push (up/down) key to change the setting value.
If (set) key is pushed again, [C/H] letter is indicated and setting temperature is remembered and present temperature is indicated.
- Setting for Installer Mode Function
If (set) key is pushed over 5second, set in the following order:
TYP(Type) → DLT(Time Delay) → DIF(Temp. Deviation) → COR(Correct Present Temp.)
and setting value each mode should be changed by pressing (up/down) key and then press (set) key to move to next mode.
If (set) key is pushed again, setting value is remembered.

모 델		FOX-1004	Setting value when deliver	FOX-S1004	Setting value when deliver	FOX-E1004	Setting value when deliver
<i>typ</i>	Cooling/Heating	C / H	C	Cooling	×	C / H	C
<i>dlt</i>	Time Delay	0 ~ 19min. 59sec.	○	0 ~ 19min. 59sec.	○	0 ~ 19min. 59sec.	○
<i>dif</i>	Temp. Deviation	±0.1°C ~ ±19.9°C	1.0°C	+0.1°C ~ +19.9°C	1.0°C	±1°C ~ ±19°C	1.0°C
<i>cor</i>	Correction of Temperature	±5.0°C	0.0°C	±5.0°C	0.0°C	±5°C	0°C

3. Dimension



4. Connection



5. Safety and Hazard Instructions

Safety

Pls use this item after installing the duplex safety device in which is applied at dangerous factors such as serious human injury or serious damages of property & important machine because this item is not designed as safety device

Safety Instruction and Hazard Warnings

Please read the operating manual through completely before putting the device into operation. We will not assume any responsibility for damage to assets or persons caused by improper handling or failure to observe the safety instructions or hazard warnings. For safety and licensing reasons, unauthorized conversion and/or modification of the device is not permitted. Do not exceed the maximum permissible current - in case of higher loads, use a contactor of adequate power. Make sure that the supplied voltage matches the values specified for the instrument. The device must be adequately protected from water and dust as per the application and must be accessible via the use of appropriate tools. The device must not be exposed to extreme temperature, sunlight, strong vibrations or high levels of humidity. Operation or installation is not permitted under unfavorable ambient conditions such as wetness or excessive induction loads or solenoid and dust, combustible gases, vapors or solvents, especially high-frequency noise. Avoid operation or installation close to high-frequency fields such as welding devices, sewing machines, wireless transmitter, radio systems, SCR controller, etc. Do not install the sensor cable nearby signal cable, power cable, load cable. Please use the shield cable when the sensor cable's lengthen, however do not make it too much longer. Please use the sensor cable without any cutting or flaw, blemish. The device is not a toy and should be kept away from children. Installation work must only be carried out by suitably qualified personnel who are familiar with the hazards involved and with the relevant regulations. You shouldn't tinker with anything or the product may not be opened or disassembled unless you know what you're doing. Please ask us about this questioning.

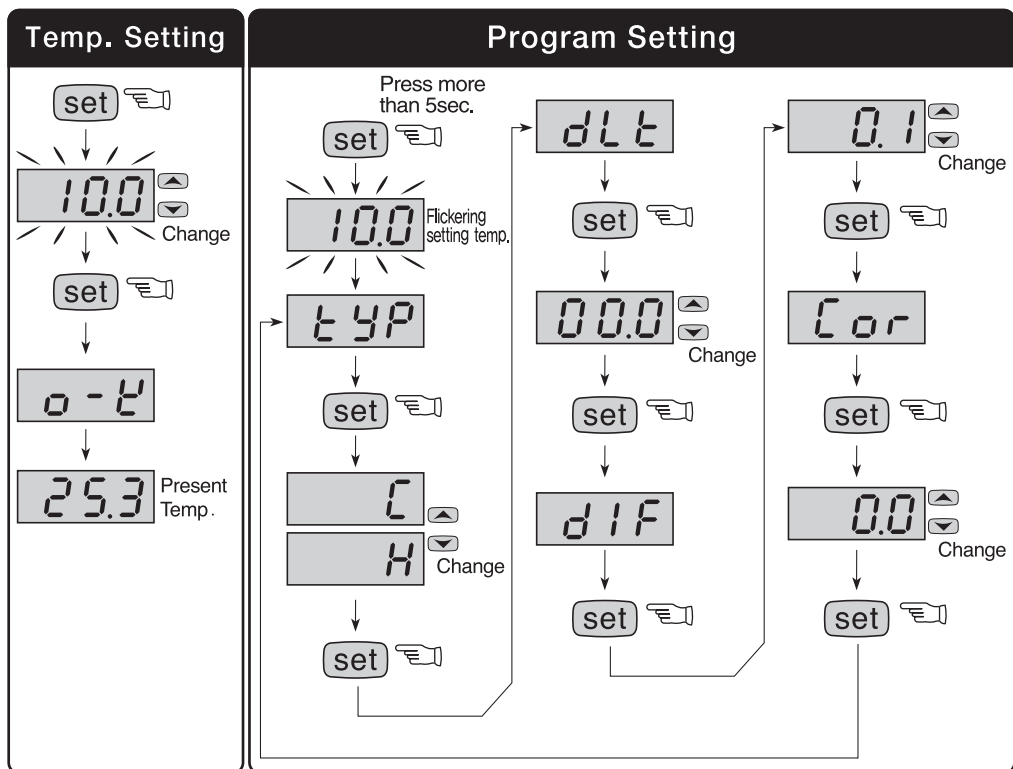
Danger

Attention ! Never work on electrical connections when the machine is switched on

Error message

- E-1 Memory error. Turn the power off and turn it on again. If the error message persists, please request us A/S by return.
- S-E Sensor error. The sensor is interrupted. Check the cable.
- S-E Sensor error. The sensor is short-circuited. Check the cable.

* This device's specification can be changed without any notification to improve its quality



H. Office : B-112, Techno plaza 681-11 Junpo 1 dong, Busanjin-ku, Busan, Korea
Factory : B-409, Techno plaza 681-11 Junpo 1 dong, Busanjin-ku, Busan, Korea
A/S TEL : +82-51-819-0426 FAX : 82-51-819-4562
E-mail : foxeng@foxeng.co.kr
Homepage : http://www.foxeng.co.kr

* This device works proper operation with:
Surrounding Temp. : 0°C ~ 60°C
Surrounding Humi. : below 80%RH
Regular power : 220VAC