



- High reliability by 24K Gold plated contact of SPDT(1a+1b)
- Low maintenance by die-cast body & stainless steel of moving parts
- IP67 rated with built-in gasket in body cover & O-ring in moving part
- Detachable head can be positioned in any direction
- Available optional LED indicator cover (ZXL-102/103)

Option Parts

24K Gold Plated Contact Block
ZXL-101

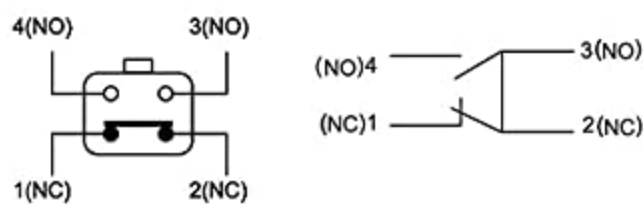


Indicator Lamp
ZXL-102
LED 12 ~ 24V AC/DC
ZXL-103
Neon 110/240V AC



*Changable ON status at NC or NO

Contact Diagram



Specifications

Contac	SPDT(1NO+1NC), 24K Ag Alloy	
Protection	IP67	
Rated Current	12 at 250VAC	
Insulation Resistance	100MΩ at 500V DC	
Contact Resistance	Max. 50mΩ	
Operation Speed	1mm/sec ~ 1m/sec	
Vibration	10~55Hz dual wave length 1.5mm	
Ambient Temperature	Operation: -25°C~ +80°C, Storage: -30°C~+80°C	
Ambient Humidity	35~85%RH (at -5~+40°C)	
Impact Resistance	Durability	Max. 100G
	Error	Plunger max. 30G Lever Max. 20G
Dielectric Strength	2,200	
Expected Life	Electrical	Min. 500,000
	Mechanical	Min. 10,000,000

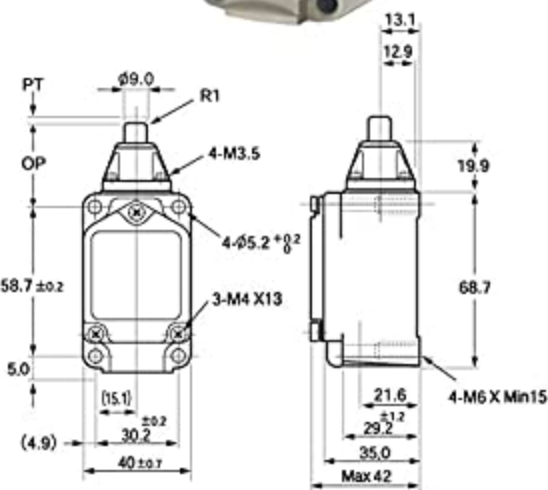
Contact Rating

Rated Voltage	Non-Inductive Load		Inductive Load	
	Resistive Load	Lamp Load	Inductive Load	Motor Load
125VAC	16A	5A	16A	8A
250VAC	12A	3A	12A	5A
500VAC	10A	2.5A	10A	2.5A
30VDC	8A	6A	8A	6A
125VDC	1A	0.3A	1A	0.3A
250VDC	0.5A	0.2A	0.5A	0.2A

Dimensions

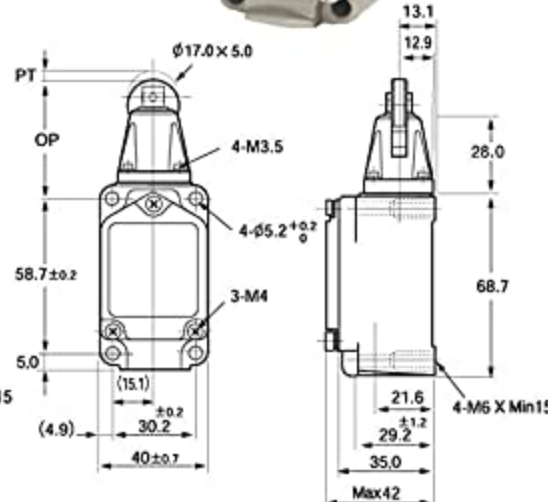
unit: mm

ZXL/KXL-301



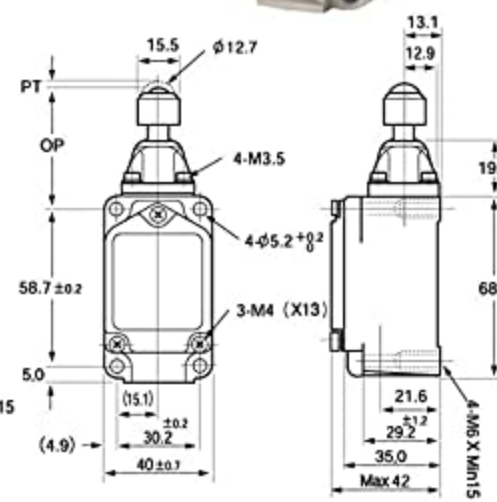
OF	2,720gf(26.67N)
RF	910gf(8.92N)
PT	1.7mm
OT	6.4mm
MD	1mm
TT	-
OP	34 ± 0.8mm
TTP	29.5mm

ZXL/KXL-302



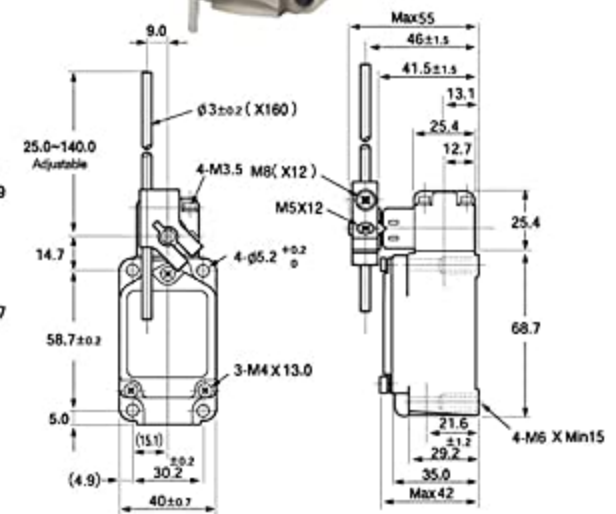
OF	2,720gf(26.67N)
RF	910gf(8.92N)
PT	1.7mm
OT	5.6mm
MD	1mm
TT	-
OP	44 ± 0.8mm
TTP	39.5mm

ZXL/KXL-303



OF	2,720gf(26.67N)
RF	910gf(8.92N)
PT	1.7mm
OT	4mm
MD	1mm
TT	-
OP	44.5 ± 0.8mm
TTP	41mm

ZXL/KXL-704

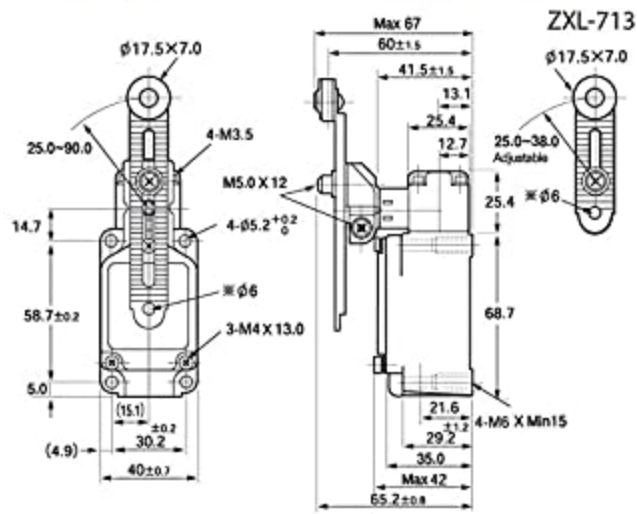


OF	142gf(1.4N)
RF	28gf(0.27N)
PT	15 ± 5°
OT	80°
MD	12°
TT	100°
OP	
TTP	

ZXL/KXL-703

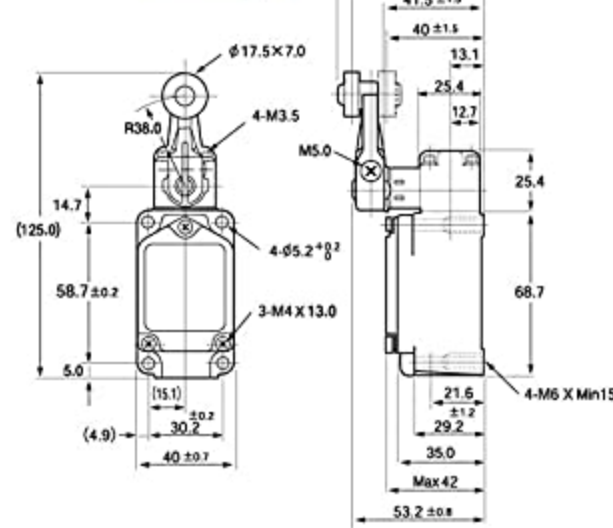


ZXL/KXL-713



OF	1,360gf(13.34N)	
RF	227gf(2.23N)	
PT	15 \pm 5°	80 \pm 5°(703M)
OT	80°	
MD	12°	
TT	100°	

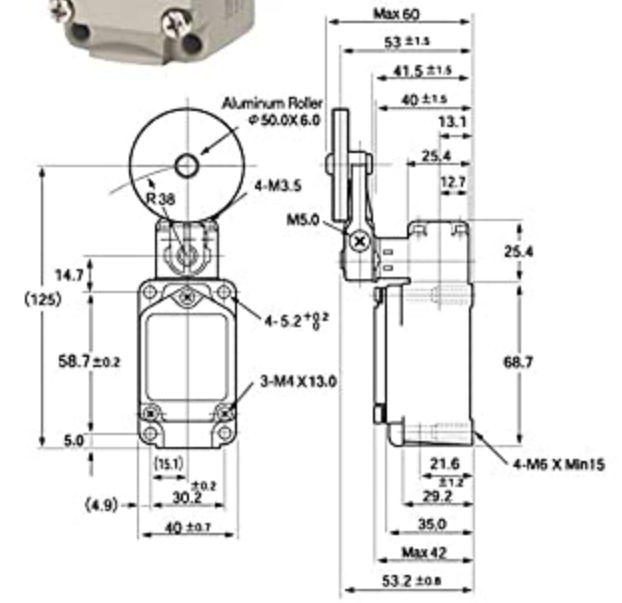
ZXL/KXL-702



OF	1,360gf(13.34N)	
RF	227gf(2.23N)	
PT	15 \pm 5°	
OT	80°	
MD	12°	
TT	100°	



ZXL/KXL-705



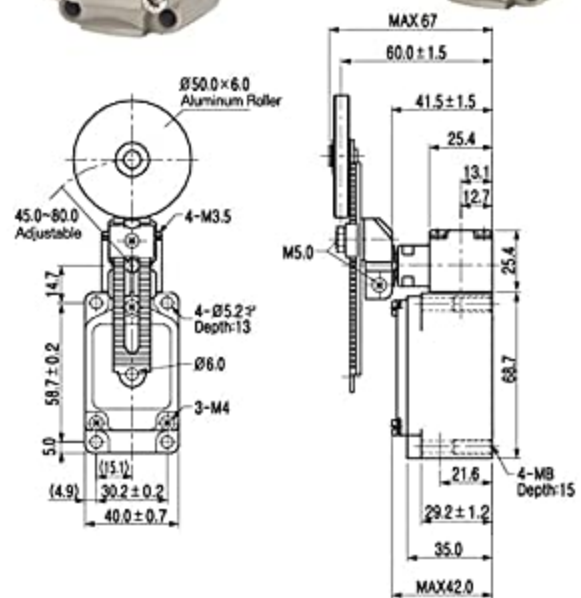
OF	1,360gf(13.34N)	
RF	227gf(2.23N)	
PT	15 \pm 5°	
OT	80°	
MD	12°	
TT	100°	



ZXL/KXL-706



ZXL/KXL-726



OF	1,360gf(13.34N)	
RF	227gf(2.23N)	
PT	15 \pm 5°	
OT	80°	
MD	12°	
TT	100°	

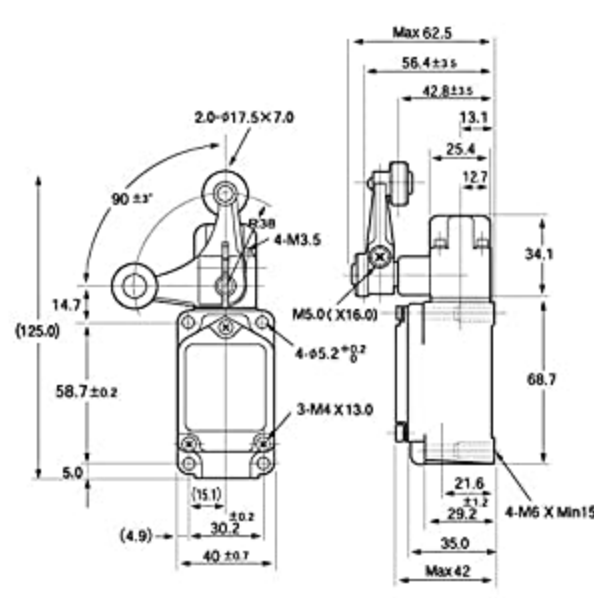


ZXL/KXL-717

ZXL/KXL-727

ZXL/KXL-737

ZXL/KXL-747

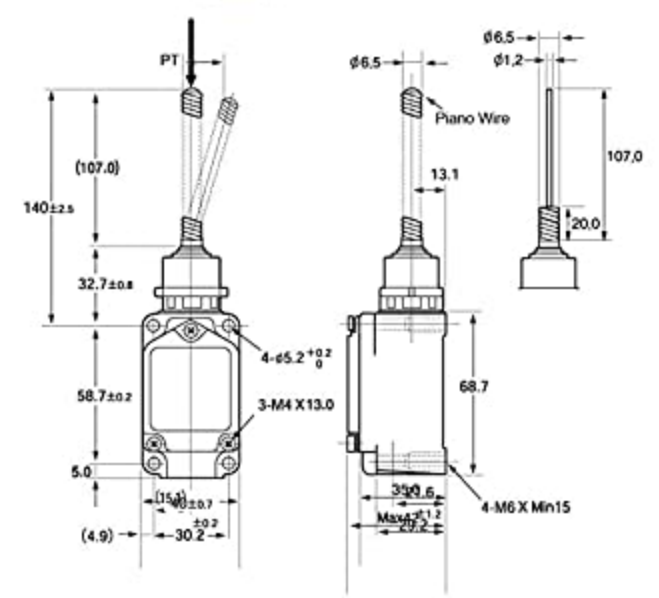


OF	1,200gf(11.8N)	
RF	50 \pm 5°	
PT	15 \pm 5°	
OT	35°	
MD	-	
TT	-	

ZXL/KXL-901



ZXL/KXL-902



OF	150gf(1.47N)	
RF	-	
PT	20 \pm 10mm	
OT	-	
MD	-	
TT	-	