

# HOIST SWITCH

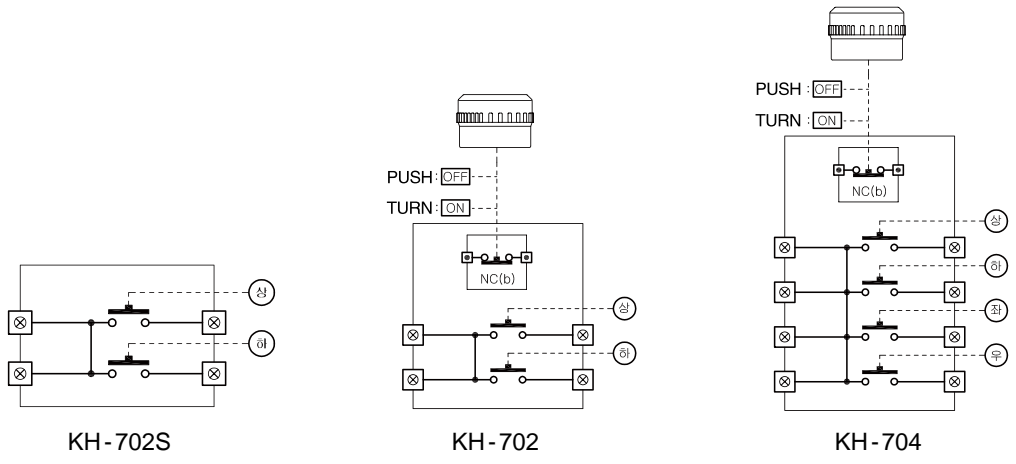
## HOIST SWITCHES



### Technical Information

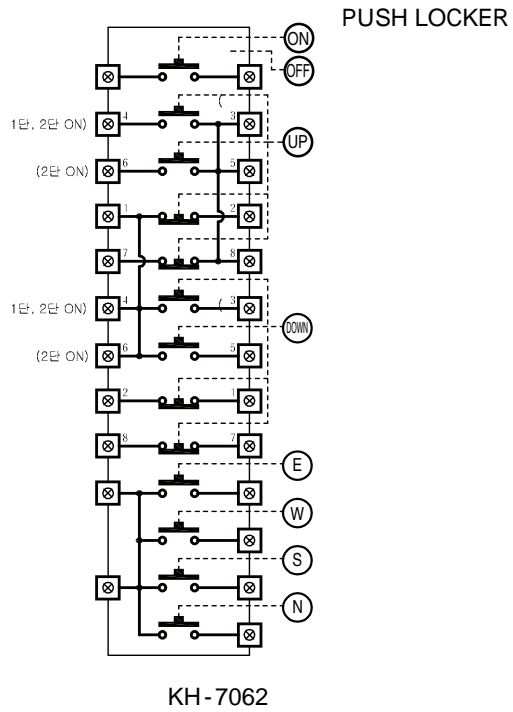
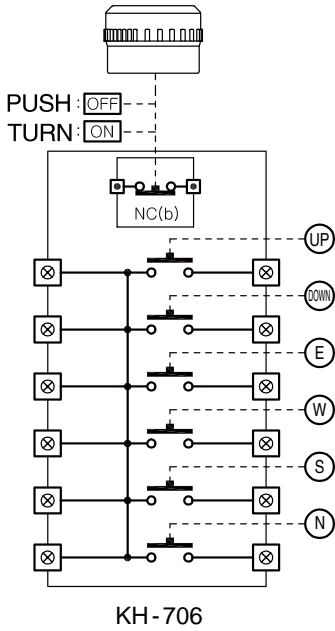
Model	Contact Rating	Emergency Contact rating	Material	Material
KH-702S	250VAC, 7A	125 /250VAC, 3A (No emergency button)	Body: Triloy Button: ABS Button cap: PC	IP65
KH-702		125 /250VAC, 3A		
KH-704	380VAC, 5A	125 /250VAC, 3A		
KH-706		125 /250VAC, 3A		
KH-7062	250VAC, 7A	Built-in ON / OFF Button	Body: Triloy Button: ABS	
	380VAC, 5A	Built-in ON / OFF Button		

### Circuit Diagram



# HOIST SWITCH

## Circuit Diagram



CONTROL COMPONENTS

MICRO SWITCH

FOOT SWITCH

LIMIT SWITCH

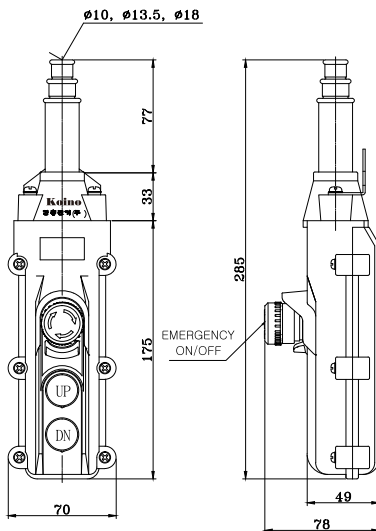
POWER SWITCH

HOIST SWITCH

CAM SWITCH

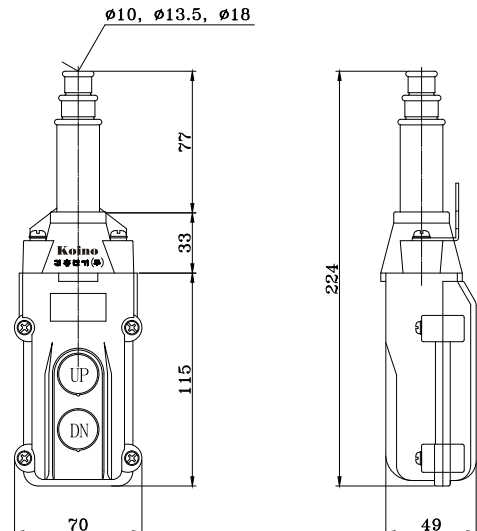
## Dimension

KH-702



\* Terminal Screw : M4 x 6

KH-702S

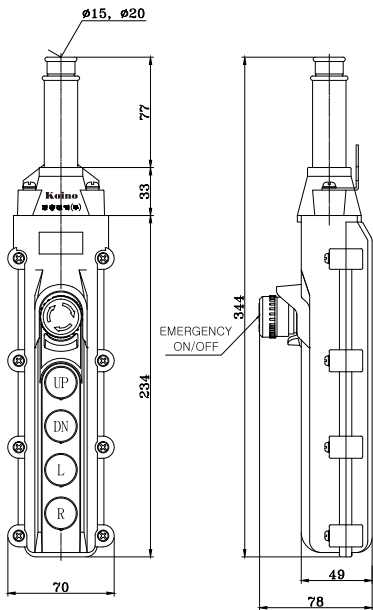


\* Terminal Screw : M4 x 6

# HOIST SWITCH

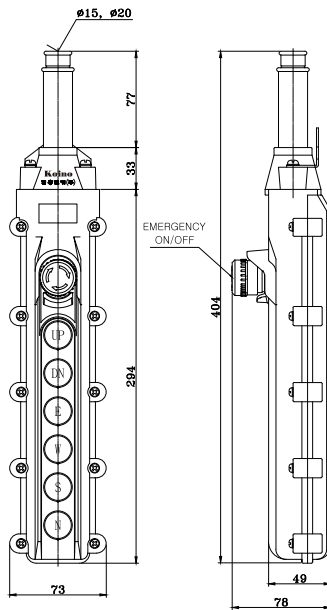
## Dimension

KH-704



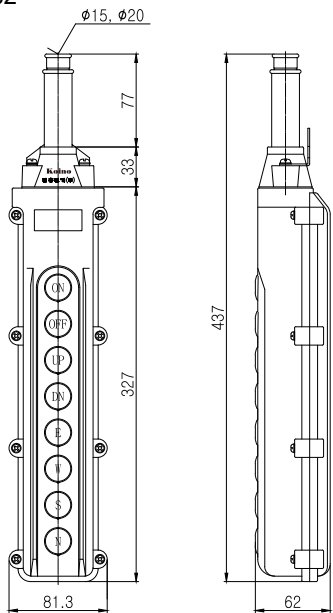
\* Terminal Screw : M4 x 6

KH-706



\* Terminal Screw : M4 x 6

KH-7062



\* Terminal Screw : M4 x 6