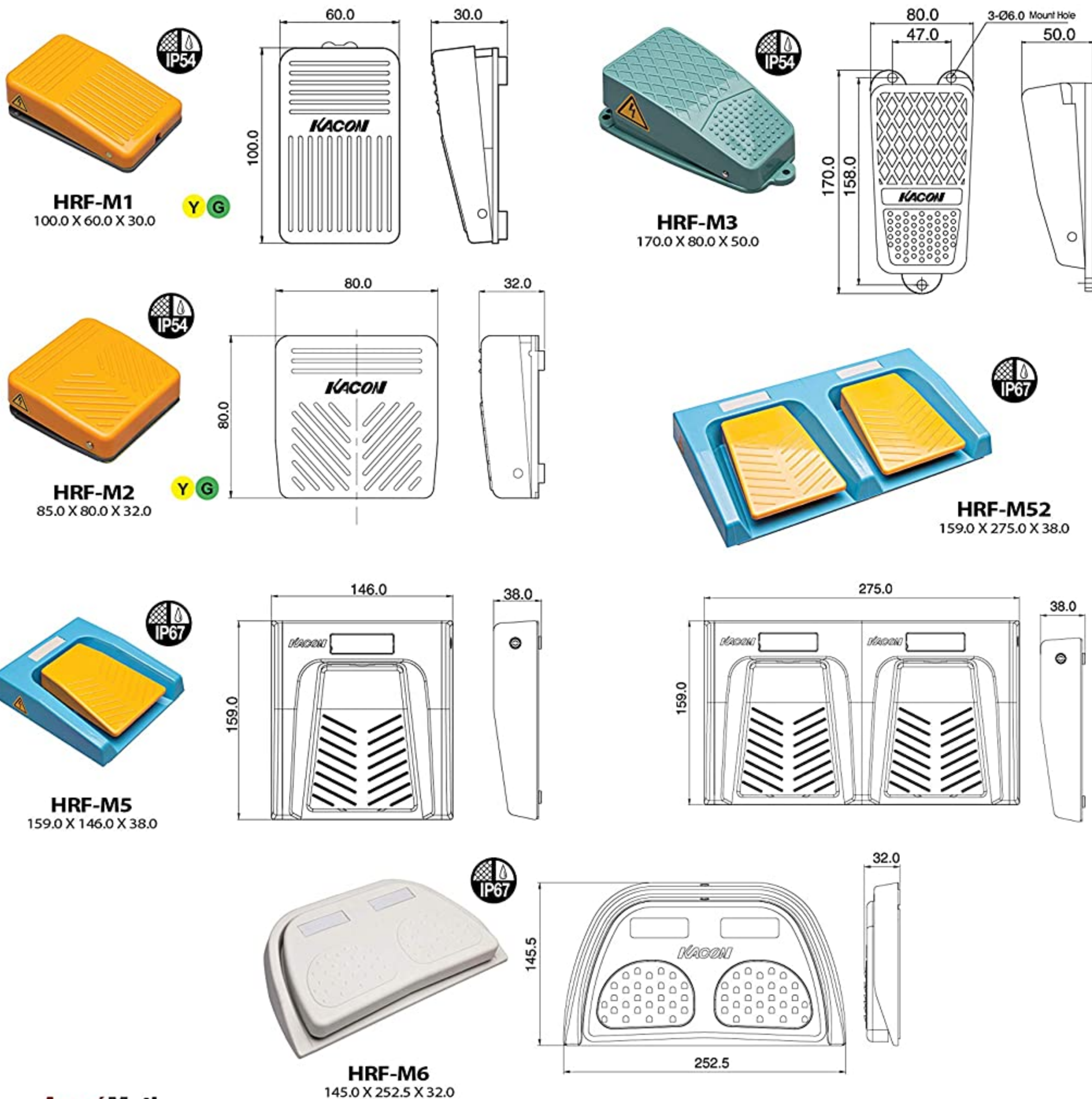


Specifications

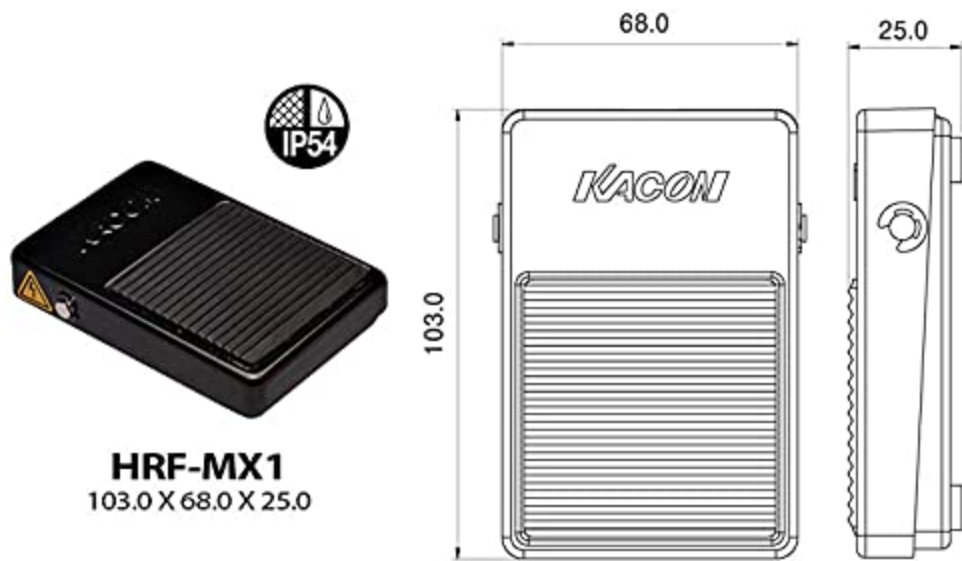
	M1	M2	M3	MX1	MD2	MD23	MD2S	MD3	MD4	M5	M8	M52	M6
Contact	SPDT (1NO + 1NC)									1NO	2NO + 2NC		
Regular Current	10A 250VAC												
Built-in Switch	V type micro switch (UL, CUL, VDE, CE Certified) + 24K gold plated												
Body Material	Plastic		Steel	Aluminum Die cast						Plastic			
Function	Momentary					Maintained			Momentary				
Degree of Protection	IP54									IP67	IP68	IP67	
Cable	0.75 mm ² x 3 line cables x 2 m												

Plastic Housing (Unit: mm)

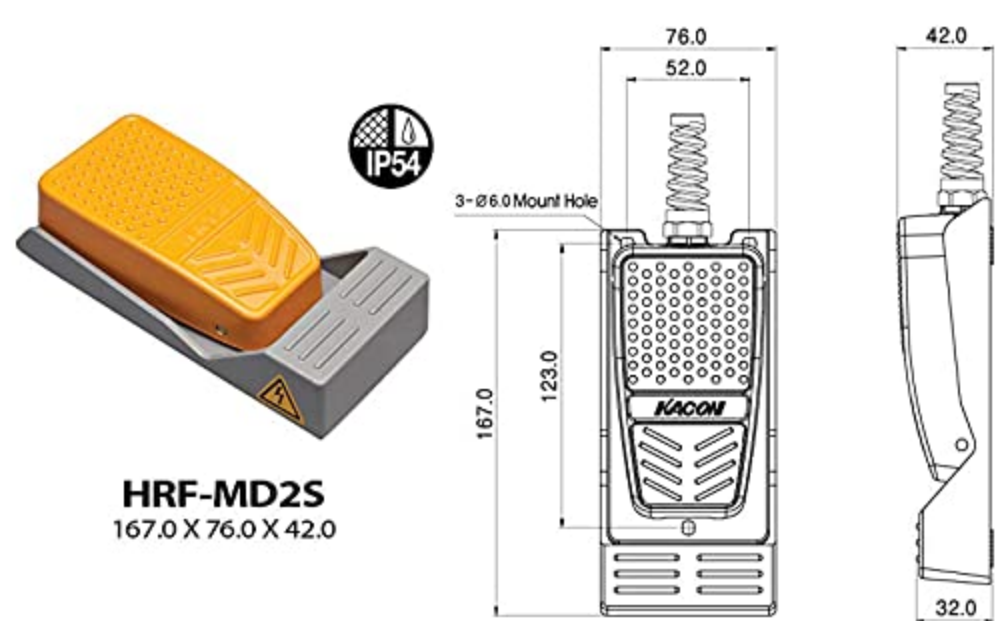


Metal Housing

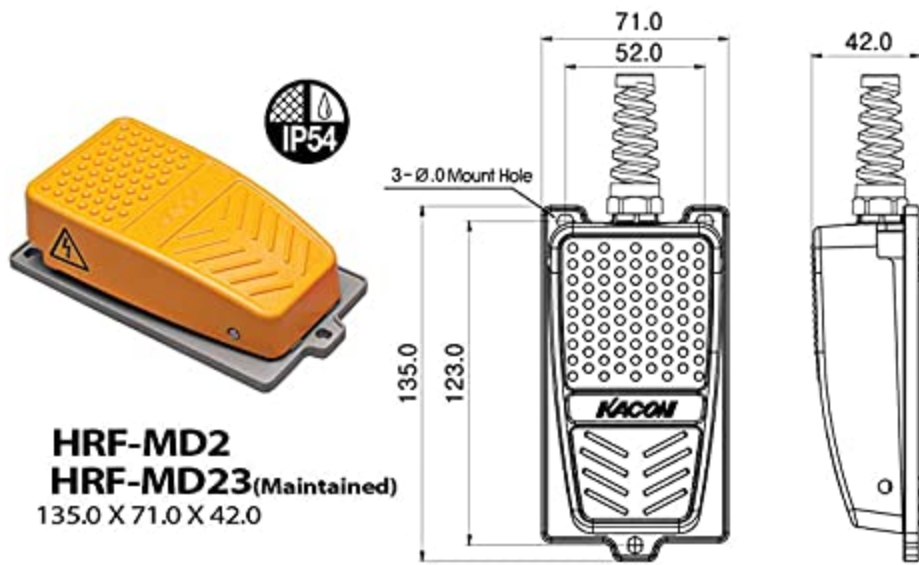
(Unit: mm)



HRF-MX1
103.0 X 68.0 X 25.0



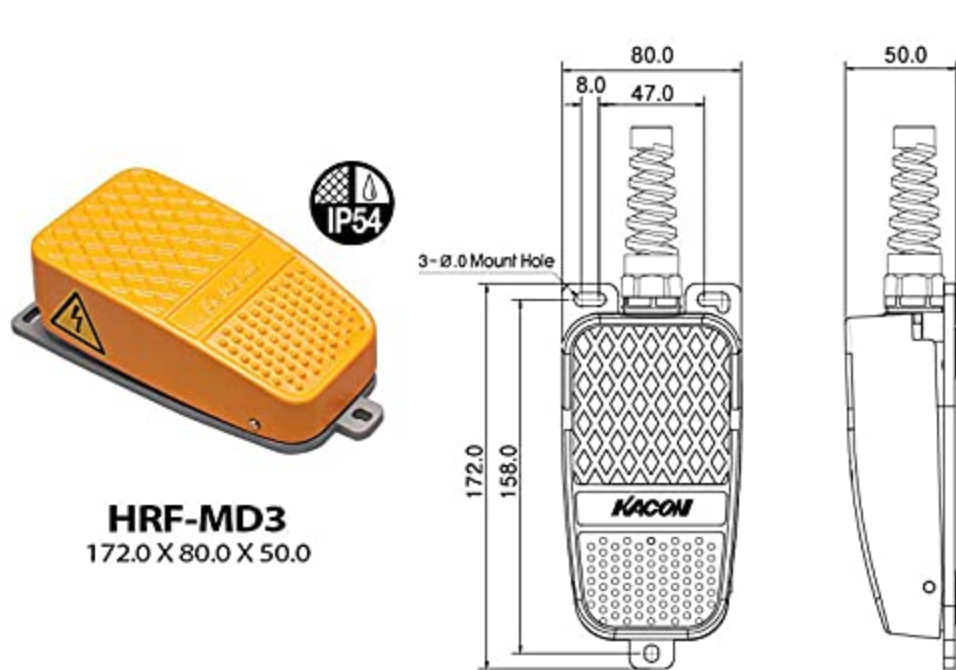
HRF-MD2S
167.0 X 76.0 X 42.0



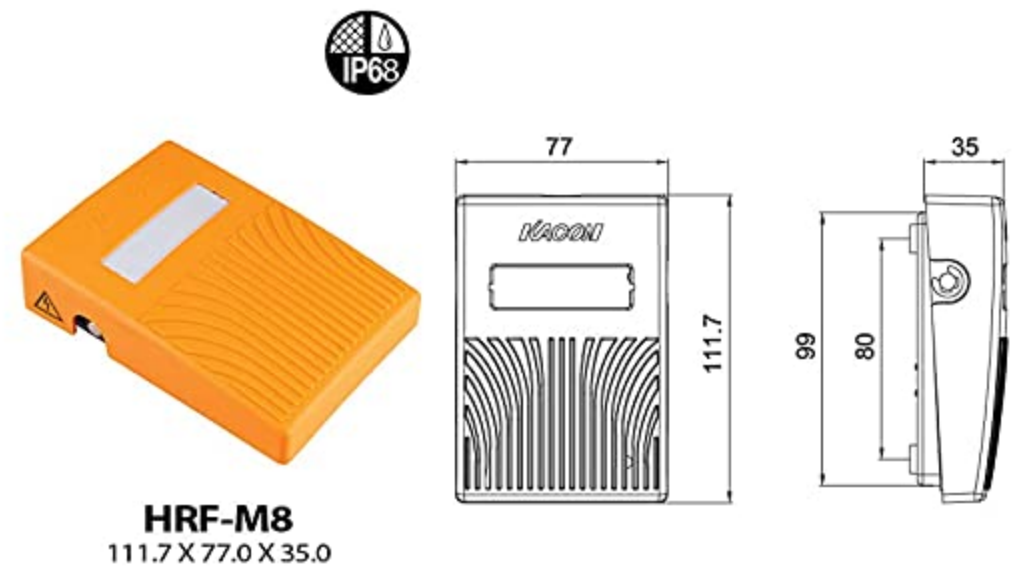
HRF-MD2
HRF-MD23 (Maintained)
135.0 X 71.0 X 42.0



HRF-MD4
115.0 X 80.0 X 38.0



HRF-MD3
172.0 X 80.0 X 50.0



HRF-M8
111.7 X 77.0 X 35.0