



KMSR Series

Single Phase Solid State Relays



- Hockey puck style single phase SSR
- LED indicator of the control input status
- Clip cover of IP20 touch protection
- Available 4 ~ 32VDC or 90 ~ 265VAC input

Specifications

Insulation Resistance	100MΩ/500VDC (btwn Terminal & Case)
Dielectric Strength	2500VAC(50/60Hz 1minute)
Vibration Resistance	10-55Hz, amplitude: 1.5mm,x,y,z each axis 2 hours
Shock Resistance	1000m/s ² ,s,y,z each axis 3times
Storage Temperature	-30°C~ +90°C
Ambient Temperature	-25°C~ +70°C
Ambient Humidity	45 - 85% R.H
Weight	approx. 100g

Ordering Information

KMSR - ① ② ③ ④

① Input Voltage	D	4 - 32 VDC
	A	90 - 265 VAC
② Output Voltage	S	Single Phase
	D	DC
③ Load Current		
005	5A*	040 40A
010	10A	050 50A
020	20A	060 60A
025	25A	100 100A
030	30A	
④ Load Voltage	AC	2 90 - 240V
		4 90 - 480V
	DC	5 50V

*DC output type only
- DC Output DC Input models are not available

Characteristics

DC Input / AC Output (90 - 240VAC) .UL

Model#	KMSR-	DS0102	DS0202	DS0252	DS0302	DS0402	DS0502	DS0602	DS1002
Input	Rated Control Voltage	4 -32VDC							
	Pick-up Voltage	3VDC Minimum							
	Drop-out Voltage	1.5VDC Maximum							
	Input Current	3-35mA							
Output	Rated Load Voltage	90 - 240VAC							
	Peak Voltage	600V						800V	
	Rated Load Current	10A	20A	25A	30A	40A	50A	60A	100A
	Frequency	47 - 63Hz							
	Single Cycle Surge Current Resistance	170A	250A	315A			580A		
	Output Leakage Current (Maximum)	10mA	15mA						
	Output on Voltage Drop	1.5V Maximum							
	Minimum Switching Current	1A							
	Pick-up/Drop-out Time	1/2 cycle+1ms Maximum							

DC Input / AC Output (90 - 480VAC) .UL

Model#	KMSR-	DS0104	DS0204	DS0254	DS0304	DS0404	DS0504	DS0604	DS1004
Input	Rated Control Voltage	4 -32VDC							
	Pick-up Voltage	3VDC Minimum							
	Drop-out Voltage	1.5VDC Maximum							
	Input Current	3 - 35mA							
Output	Rated Load Voltage	90 - 480VAC							
	Peak Voltage	800V	1200V						
	Rated Load Current	10A	20A	25A	30A	40A	50A	60A	100A
	Frequency	47 - 63Hz							
	Single Cycle Surge Current Resistance	170A	250A	350A	370A	580A			
	Output Leakage Current (Maximum)	20mA							
	Output on Voltage Drop	1.3V MAX	1.6V MAX	1.8V Maximum					
	Minimum Switching Current	1A							
	Pick-up/Drop-out Time	1/2 cycle+1ms Maximum							

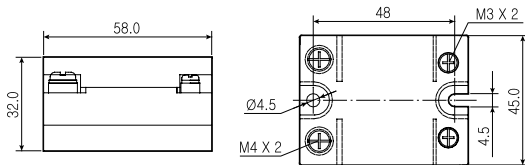
AC Input / AC Output (90 - 240VAC)

Model#	KMSR-	AS0102	AS0202	AS0252	AS0302	AS0402	AS0502	AS0602	AS1002
Input	Rated Control Voltage	90-265VAC							
	Pick-up Voltage	72VAC Minimum							
	Drop-out Voltage	60VAC Maximum							
	Input Current	15mA Maximum							
Output	Rated Load Voltage	90 - 240VAC							
	Peak Voltage	600V				800V			
	Rated Load Current	10A	20A	25A	30A	40A	50A	60A	100A
	Frequency	47 - 63Hz							
	Single Cycle Surge Current Resistance	170A	250A	315A			580A		
	Output Leakage Current (Maximum)	10mA	15mA						
	Output on Voltage Drop	1.5V Maximum							
	Minimum Switching Current	1A							
	Pick-up/Drop-out Time	1/2 cycle+1ms Maximum							

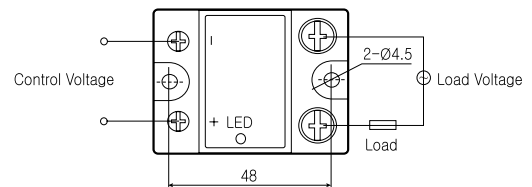
AC Input / AC Output (90 - 480VAC)

Model#	KMSR-	AS0104	AS0204	AS0254	AS0304	AS0404	AS0504	AS0604	AS1004
Input	Rated Control Voltage	90-265VAC							
	Pick-up Voltage	72VAC Minimum							
	Drop-out Voltage	60VAC Maximum							
	Input Current	15mA Maximum							
Output	Rated Load Voltage	90 - 480VAC							
	Peak Voltage	800V	1200V						
	Rated Load Current	10A	20A	25A	30A	40A	50A	60A	100A
	Frequency	47 - 63Hz							
	Single Cycle Surge Current Resistance	170A	250A	350A	370A	580A			
	Output Leakage Current (Maximum)	20mA							
	Output on Voltage Drop	1.3V MAX	1.6V MAX	1.8V Maximum					
	Minimum Switching Current	1A							
	Pick-up/Drop-out Time	1/2 cycle+1ms Maximum							

Dimension

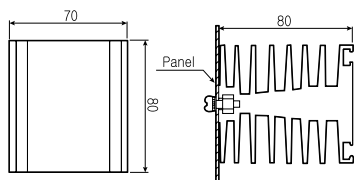


Connection Diagram

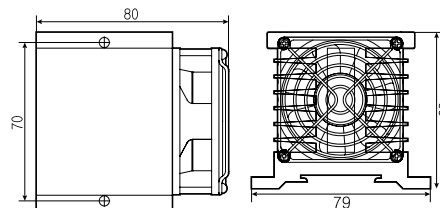


Optional Heatsink

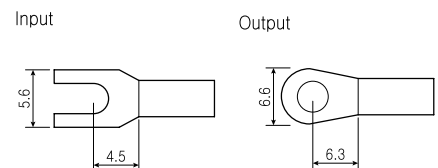
KSH-A040(25A-40A)



KSH-A100(40A-100A)



Terminals





KMSR Series

Three Phase Solid State Relays



- Economic type three phase SSR
- LED indicator of the control input status
- Available heatsinks & fans

Ordering Information

KMSR - ① ② ③ ④

① Input voltage	D	4 - 32 VDC
	A	90 - 265 VAC

② Output Voltage	T	Three Phase
---------------------	----------	-------------

③ Load Current			
010	10A	040	40A
020	20A	050	50A
025	25A	060	60A
030	30A	100	100A

④ Load Voltage	2	90 - 240VAC
	4	90 - 480VAC

Specifications

Insulation Resistance	100MΩ/500VDC (btwn Terminal & Case)
Dielectric Strength	2500VAC(50/60Hz 1minute)
Vibration Resistance	10-55Hz, amplitude: 1.5mm,x,y,z each axis 2 hours
Shock Resistnace	1000m/s ² ,s,y,z each axis 3times
Storage Temperature	-30°C~ +90°C
Ambient Temperatur	-25°C~ +70°C
Ambient Humidity	45 - 85% R.H
Weight	approx. 530g

Characteristics

DC Input / AC Output (90 - 240VAC)

		DT0102	DT0202	DT0252	DT0302	DT0402	DT0502	DT0602	DT1002
Input	Rated Control Voltage	4 -32VDC							
	Pick-up Voltage	3VDC Minimum							
	Drop-out Voltage	1.5VDC Maximum							
	Input Current	25mA Maximum							
Output	Rated Load Voltage	90 - 240VAC							
	Peak Voltage	600V				800V			
	Rated Load Current	10A	20A	25A	30A	40A	50A	60A	100A
	Frequency	47 - 63Hz							
	Single Cycle Surge Current Resistance	125A	260A	315A			580A		
	Output Leakage Current (Maximum)	10mA	10mA						
	Output on Voltage Drop	1.5V Maximum							
	Minimum Switching Current	1A							
	Pick-up/Drop-out Time	1/2 cycle+1ms Maximum							

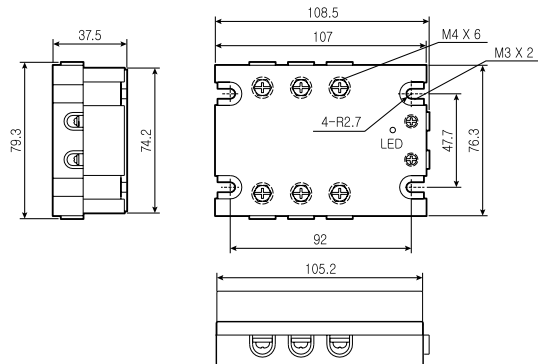
DC Input / AC Output (90 - 480VAC)

		DT0104	DT0204	DT0254	DT0304	DT0404	DT0504	DT0604	DT1004	
Input	Rated Control Voltage	4 -32VDC								
	Pick-up Voltage	3VDC Minimum								
	Drop-out Voltage	1.5VDC Maximum								
	Input Current	3 - 35mA								
Output	Rated Load Voltage	90 - 480VAC								
	Peak Voltage	800V	1200V							
	Rated Load Current	10A	20A	25A	30A	40A	50A	60A	100A	
	Frequency	47 - 63Hz								
	Single Cycle Surge Current Resistance	170A	250A		350A		580A			
	Output Leakage Current (Maximum)	10mA								
	Output on Voltage Drop	1.5V Maximum								
	Minimum Switching Current	1A								
	Pick-up/Drop-out Time	1/2 cycle+1ms Maximum								

AC Input / AC Output (90 - 240VAC)										
		AT0102	AT0202	AT0252	AT0302	AT0402	AT0502	AT0602	AT1002	
Input	Rated Control Voltage	90-265VAC								
	Pick-up Voltage	72VAC Minimum								
	Drop-out Voltage	60VAC Maximum								
	Input Current	15mA Maximum								
Output	Rated Load Voltage	90 - 240VAC								
	Peak Voltage	600V					800V			
	Rated Load Current	10A	20A	25A	30A	40A	50A	60A	100A	
	Frequency	47 - 63Hz								
	Single Cycle Surge Current Resistance	125A	260A	315A			580A			
	Output Leakage Current (Maximum)	10mA								
	Output on Voltage Drop	1.5V Maximum								
	Minimum Switching Current	1A								
	Pick-up/Drop-out Time	1/2 cycle+1ms Maximum								

AC Input / AC Output (90 - 480VAC)									
		AT0104	AT0204	AT0254	AT0304	AT0404	AT0504	AT0604	AT1004
Input	Rated Control Voltage	90-265VAC							
	Pick-up Voltage	72VAC Minimum							
	Drop-out Voltage	60VAC Maximum							
	Input Current	15mA Maximum							
Output	Rated Load Voltage	90 - 480VAC							
	Peak Voltage	800V	1200V						
	Rated Load Current	10A	20A	25A	30A	40A	50A	60A	100A
	Frequency	47 - 63Hz							
	Single Cycle Surge Current Resistance	170A	250A		350A		580A		
	Output Leakage Current (Maximum)	10mA							
	Output on Voltage Drop	1.5V Maximum							
	Minimum Switching Current	1A							
	Pick-up/Drop-out Time	1/2 cycle+1ms Maximum							

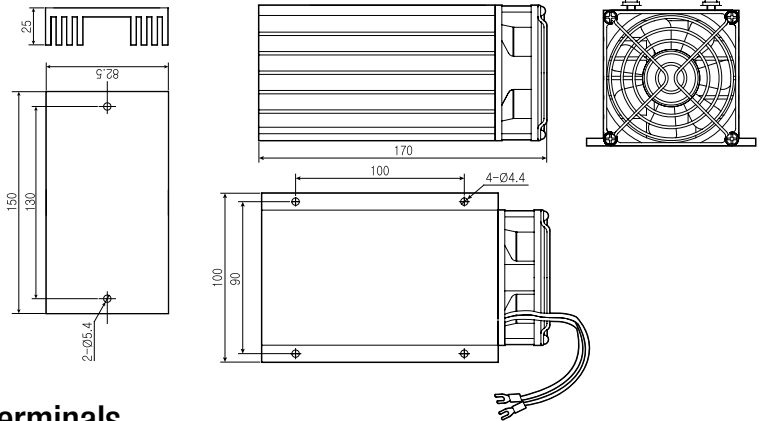
Dimension



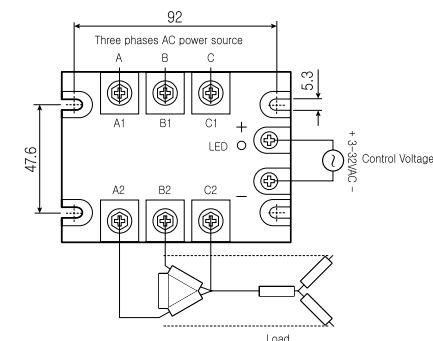
Optional Heatsink

KSH-B040(25A-40A)

KSH-B100(40A-100A)



Connection Diagram



Terminals

